

The Aglass VT900A Sewage Pump Station

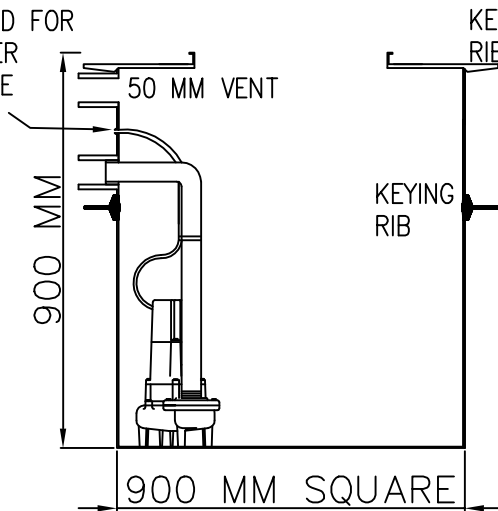
UNIT COMES FULLY ASSEMBLED

LID OPTIONS:

600 MM SQUARE
ALL LIDS ARE
GAS-TIGHT

CLASS B –
MEDIUM DUTY
CLASS D –
HEAVY DUTY
FIBREGLASS
LIDS FOR
ABOVE
BRASS EDGE
FOR TILING

GLAND FOR
POWER
CABLE



KEYING
RIB

KEYING
RIB

STANDARD FEATURES:

- 50 MM BRASS SWING CHECK VALVE
- 50 MM PRESSURE UNION
- SUBMERSIBLE SEWAGE CUTTER PUMP (240/415 VOLTS)
- INLET, OUTLET AND VENT
- ISOLATION TAP
- LIFT CHAINS

OPTIONAL EXTRAS:

- HIGH LEVEL ALARM
- CONTROL PANEL FOR DUAL PUMPS
- SLIDE RAIL KITS
- PIT RISERS

TANK IS DESIGNED FOR ABOVE AND BELOW GROUND INSTALLATION

WORKING CAPACITY
750L
MAXIMUM CAPACITY
900L

AUSTRALIAN STANDARDS:

AS1170-P1
AS2634
AS1546

APPLICATIONS:

- BOAT SHEDS
- DOMESTIC DWELLINGS
- DUPLEXES
- TOILET BLOCKS
- BUILDING SITES
ETC

PLUMBER TO NOMINATE SIZE AND POSITION OF INLET

FOR PUMP OPTIONS INCLUDING DIAGRAMS AND PERFORMANCE CURVES
CONTACT AGLASS SALES

OTHER PUMP STATIONS ALSO AVAILABLE

THIS DOCUMENT IS CONFIDENTIAL. THE COPYRIGHT THEREIN IS VESTED IN AGLASS SALES PTY LTD TAREN POINT, NSW, AUSTRALIA. RECIPIENTS MUST OBTAIN THE WRITTEN AUTHORITY OF THE SAID COMPANY BEFORE WHOLLY OR PARTLY DUPLICATING THE CONTENTS OR DISCLOSING SAME TO OTHERS. ALL RIGHTS RESERVED.

	SIGNATURE	DATE
DRAWN	M.P.	28.02.04
CHECKED	K.A.	28.02.04
APPR'D	K.A.	28.02.04
DRAWING NUMBER: AGL-VT500-A		
SCALE:	NTS	SHEET SIZE A4



AGLASS SALES PTY LTD

PH (02) 9526 2822
FAX (02) 9525 5085