

# The Aglass VT2000A Sewage Pump Station

UNIT COMES FULLY ASSEMBLED

600 MM  
CAST IRON LIDS

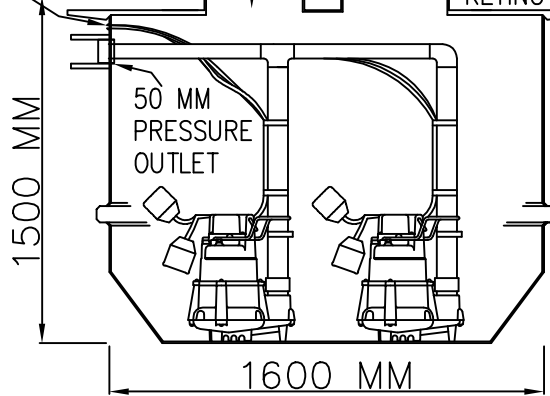
GLANDS FOR  
CABLES

150 MM WIDE  
KEYING RIBS

**LID OPTIONS:**

600 MM ROUND  
ALL LIDS ARE  
GAS-TIGHT

CLASS B -  
MEDIUM DUTY  
CLASS D -  
HEAVY DUTY  
FIBREGLASS  
LIDS FOR  
ABOVE  
BRASS EDGE  
FOR TILING



**STANDARD FEATURES:**

- 1x ALTERNATING CONTROL PANEL
- 1x HIGH LEVEL ALARM WITH FLASHING STROBE AND SIREN
- 2x SUBMERSIBLE SEWAGE SHREDDER CUTTER PUMPS (240/415 VOLTS)
- 2x ISOLATION TAPS
- 2x NON RETURN VALVES
- 2x LIFT CHAINS
- 2x PRESSURE UNIONS
- 2x PUMP AND PIPE BRACKETS
- 4x MAC3 BALL FLOAT SWITCHES

WORKING CAPACITY  
2800L  
MAXIMUM CAPACITY  
3000L

**OPTIONAL EXTRAS:**

- SLIDE RAIL KITS
- PIT RISERS

**AUSTRALIAN STANDARDS:**

AS1170-P1  
AS2634  
AS1546

**APPLICATIONS:**

- RESIDENTIAL
- COMMERCIAL
- INDUSTRIAL
- SUBDIVISIONS

PLUMBER TO NOMINATE SIZE  
AND QUANTITY OF INLETS

FOR PUMP OPTIONS INCLUDING  
DIAGRAMS AND PERFORMANCE  
CURVES  
CONTACT AGLASS SALES

**OTHER PUMP STATIONS ALSO AVAILABLE**

THIS DOCUMENT IS CONFIDENTIAL THE COPYRIGHT THEREIN IS VESTED IN AGLASS SALES PTY LTD TAREN POINT, NSW, AUSTRALIA. RECIPIENTS MUST OBTAIN THE WRITTEN AUTHORITY OF THE SAID COMPANY BEFORE WHOLLY OR PARTLY DUPLICATING THE CONTENTS OR DISCLOSING SAME TO OTHERS. ALL RIGHTS RESERVED.

	SIGNATURE	DATE
DRAWN	M.P.	28.02.04
CHECKED	K.A.	28.02.04
APPR'D	K.A.	28.02.04
DRAWING NUMBER: AGL-VT500-A		
SCALE:	NTS	SHEET SIZE A4



**AGLASS SALES PTY LTD**

PH (02) 9526 2822  
FAX (02) 9525 5085